

Compact stirrer SM

For tasks involving the stirring of aqueous products in small drums, we recommend a fast-running stirrer of type SM.

Construction

The stirring shaft is fitted directly to the drive with a hub coupling. The stirrer can be mounted onto a container using the motor's IEC flange. Alternatively the stirrer can be mounted using a clamp on the motor foot, suitable for mounting on traverses or stirrer stands; available on request.

Drives

The three phase standard motors are available in all common voltages and 50 or 60 Hz. Standard motors are in protection class IP55. Explosion proof motors according to ATEX standards are available on request. The drive bearings are permanently lubricated and require no maintenance. Motor speeds: 3000, 1500, 1000 and 750 rpm (at 50 Hz) are available in all stirrer sizes. Pole changeable motors available. ns.

Mixer shafts

The mixer shafts are dimensioned for continuous operation. The standard shaft is made of highly corrosion resistant SS 316 Ti. Other shaft materials or coatings can be ordered according to the application. Flanged- or quick-change-couplings can also be delivered on request. Each mixer shaft is tested and protocolled for true running in our works. Stirrer speeds are dimensioned with sufficient distance from the shaft's critical speed.

Stirring devices

Stirrers are fitted with interchangeable threeblade propellers, fixed to the shaft either directly threaded or with a hub and grub screws. Other devices such as dispersing discs, flatblade propellers or turbine-propellers can be quoted and dimensioned according to the application. For pass-through operation of the mixer occurring when filling and emptying of the vessel, propellers can be fitted with stabilising rings.

Materials

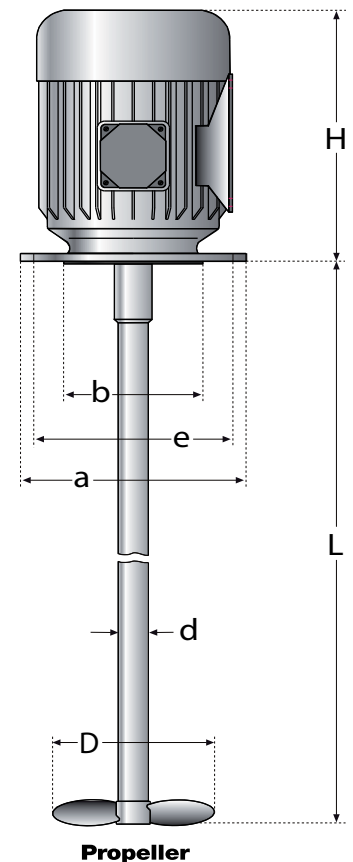
The mixer shafts and mixer elements are all made of stainless steel (316Ti) or unalloyed steel with PE-, hard rubber or PVDF-coating. Motor casing are painted silver with 2 component paint. Other RAL colours on request.

Stirrer mounting and shaft seals

The standard version of the FLUKO High Speed Mixer Typ SM is constructed for operation in open or closed non pressurised vessels. The mounting is made directly onto a counter flange. On request a motor flange/foot construction can be supplied. Various seals are available for the stirrer. From simple lip seals integrated into the mounting flange to mechanical seals or stuffing boxes mounted in special seal housings with or without pressurised quench systems. For mixer shaft-lengths over 1800 mm an additional shaft bearing in a special bearing-housing is available.



| SM | Type | | Output Data | | | | Dimensions in mm | | | | | | | |
|-------|--------------------|-----------|-------------------------------|--|---------|----|------------------|------------------|-----|-----|---------|-----|--------------------------------|--|
| | Motor rating kW ** | Speed rpm | Through-put m ³ /h | Volume of the vessel, approx. from to, m ³ /h | L. max. | d | D | a for IEC Norm * | e | b | s 4 x s | H | approx. weight (kg) with L max | |
| 12,6 | 0,12 | 1000 | 220 | 0,2 | 900 | 20 | 100 | 140 | 115 | 95 | 9,5 | 190 | 6,5 | |
| 18,4 | 0,12 | 1500 | 160 | | 900 | 20 | 80 | 160 | 115 | 95 | 9,5 | 190 | 6,5 | |
| 12,8 | 0,18 | 750 | 340 | 0,2 | 900 | 20 | 150 | 200 | 165 | 130 | 11,5 | 205 | 12 | |
| 18,6 | 0,18 | 1000 | 260 | | 900 | 20 | 125 | 160 | 130 | 110 | 9,5 | 182 | 9 | |
| 25,4 | 0,25 | 1500 | 200 | 0,5 | 900 | 20 | 100 | 160 | 130 | 110 | 9,5 | 182 | 9 | |
| 25,8 | 0,25 | 750 | 550 | 0,3 | 1000 | 25 | 175 | 200 | 165 | 130 | 11,5 | 220 | 22 | |
| 25,6 | 0,25 | 1000 | 450 | | 900 | 20 | 150 | 160 | 130 | 110 | 9,5 | 205 | 10 | |
| 37,4 | 0,37 | 1500 | 260 | 0,8 | 900 | 20 | 125 | 160 | 130 | 110 | 9,5 | 205 | 10 | |
| 37,8 | 0,37 | 750 | 770 | 0,5 | 1100 | 25 | 200 | 200 | 165 | 130 | 11,5 | 220 | 25 | |
| 37,6 | 0,37 | 1000 | 740 | | 900 | 20 | 175 | 200 | 165 | 130 | 11,5 | 205 | 12 | |
| 55,4 | 0,55 | 1500 | 400 | 1,2 | 1000 | 20 | 125 | 200 | 165 | 130 | 11,5 | 205 | 12 | |
| 55,8 | 0,55 | 750 | 1120 | 0,8 | 1100 | 25 | 200 | 200 | 165 | 130 | 11,5 | 275 | 28 | |
| 55,6 | 0,55 | 1000 | 740 | | 900 | 25 | 175 | 200 | 165 | 130 | 11,5 | 220 | 14 | |
| 75,4 | 0,75 | 1500 | 680 | 2,0 | 1000 | 25 | 125 | 200 | 165 | 130 | 11,5 | 220 | 14 | |
| 75,8 | 0,75 | 750 | 1120 | 1,1 | 1300 | 30 | 225 | 250 | 215 | 180 | 14,0 | 305 | 36 | |
| 75,6 | 0,75 | 1000 | 1000 | | 1200 | 30 | 200 | 200 | 165 | 130 | 11,5 | 250 | 22 | |
| 110,4 | 1,1 | 1500 | 1100 | 2,5 | 1300 | 30 | 175 | 200 | 165 | 130 | 11,5 | 250 | 22 | |
| 110,8 | 1,1 | 750 | 1600 | 1,5 | 1300 | 30 | 250 | 250 | 215 | 180 | 14,0 | 305 | 55 | |
| 110,6 | 1,1 | 1000 | 1500 | | 1200 | 30 | 200 | 200 | 165 | 130 | 11,5 | 275 | 25 | |
| 150,4 | 1,5 | 1500 | 1100 | 3,5 | 1300 | 30 | 175 | 200 | 165 | 130 | 11,5 | 275 | 25 | |
| 150,8 | 1,5 | 750 | 2030 | 2,0 | 1300 | 30 | 275 | 250 | 215 | 180 | 14,0 | 305 | 78 | |
| 150,6 | 1,5 | 1000 | 1560 | | 1400 | 35 | 225 | 250 | 215 | 180 | 14,0 | 275 | 30 | |
| 220,4 | 2,2 | 1500 | 1540 | 5,0 | 1500 | 35 | 200 | 250 | 215 | 180 | 14,0 | 275 | 30 | |
| 220,8 | 2,2 | 750 | 2030 | 3,0 | 1500 | 40 | 275 | 300 | 265 | 230 | 14,0 | 355 | 86 | |
| 220,6 | 2,2 | 1000 | 2100 | | 1400 | 35 | 250 | 250 | 215 | 180 | 14,0 | 325 | 55 | |
| 300,4 | 3,0 | 1500 | 2240 | 8,0 | 1500 | 35 | 225 | 250 | 215 | 180 | 14,0 | 305 | 33 | |
| 300,8 | 3,0 | 750 | 2540 | 4,0 | 1500 | 40 | 300 | 300 | 265 | 230 | 14,0 | 415 | 94 | |
| 300,6 | 3,0 | 1000 | 2700 | | 1600 | 40 | 275 | 300 | 265 | 230 | 14,0 | 355 | 78 | |
| 400,4 | 4,0 | 1500 | 2240 | 10,0 | 1500 | 35 | 225 | 250 | 215 | 180 | 14,0 | 325 | 55 | |
| 400,6 | 4,0 | 1000 | 3550 | 5,0 | 1600 | 40 | 275 | 300 | 265 | 230 | 14,0 | 415 | 86 | |
| 550,4 | 5,5 | 1500 | 3200 | 15,0 | 1800 | 40 | 250 | 300 | 265 | 230 | 14,0 | 415 | 78 | |
| 550,6 | 4,0 | 1000 | 3800 | 6,0 | 1600 | 40 | 300 | 300 | 265 | 230 | 14,0 | 415 | 94 | |
| 750,4 | 5,0 | 1500 | 4200 | 20,0 | 1800 | 40 | 275 | 300 | 265 | 230 | 14,0 | 415 | 90 | |


Propeller

Dispersing disc

* other flange sizes on request
 ** drive power up to 45 kW

Other variants

| Type | Version | Application |
|------|--------------------------|---|
| SMD | Seal housing | Sealed against pressure and vacuum |
| SML | Bearing housing | Additional bearing of long shaft mixers |
| SMLD | Bearing and seal housing | Long shafts with seals |