

## Dispersing machine DMS

### Machine design

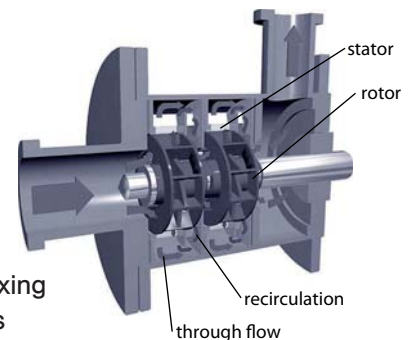
The stirring shaft of the FLUKO DMS is directly coupled to or integrated in the motor shaft. This gives the machine a very compact form. Normally, a seal housing connects the motor to the mixing section.

### Drive

FLUKO Dispersing machines are equipped with standard 3 phase motors, in IP 55 and speeds from 1000 to 3600 r.p.m. depending on the frequency. Machines for explosion proof areas compliant with ATEX standards are also available. The DMS can also be equipped with polechanging motors, geared motors or frequency converters for a continuous speed control and variation.

### Configuration

The DMS can be mounted with the stirrer shaft vertical or horizontal. When mounted vertically, the drive can be placed above or below the mixing chamber. The flow direction of the products can be selected. The DMS is mounted either on a base frame or into an existing plant via the motor mounting. Depending on the application, the stirrer shaft can be sealed with lip seals, stuffing box seals or mechanical seals. The seals can be equipped with complete or partial cooling or pressure quench systems.



### Materials

All product contacting parts are made of high quality 1.4571 stainless steel (SS316Ti).

For hygienic applications the internal surfaces can be electrolytically polished.

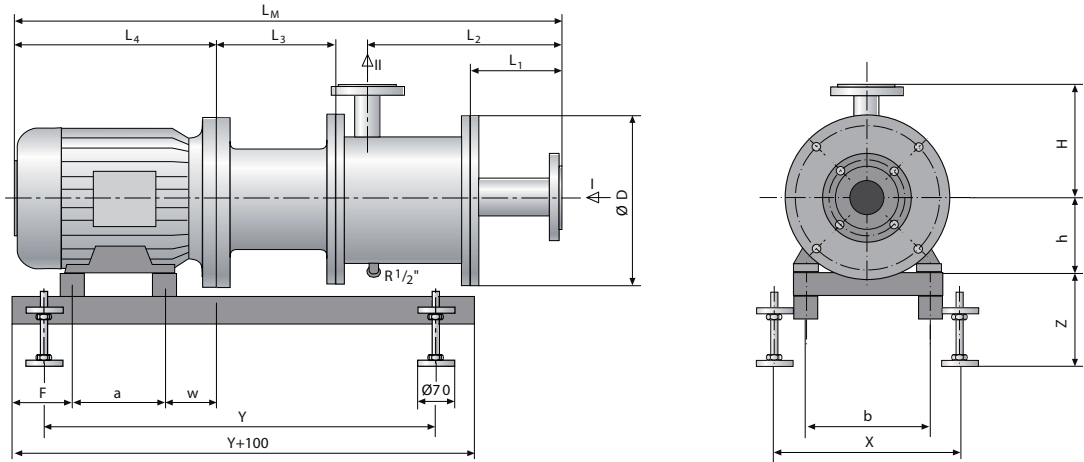
### Mixing section

The rotor-stator system is available with differing pumping and mixing capacities. The capacities are reached with variation of the rotor width, the speed and the number of rotor/stator sets which make up the mixing chamber units. Further variation of the capacity is possible by throttling the output, which at the same time increases the recirculation and the dispersing effect within the machine.

The machines are available with up to 3 sequential chambers. The mixing housing is available with a heating/cooling jacket. The DMS requires a continuous product feed, and is not self priming. The inlet and outlet can be equipped with most standard connection systems, eg. threaded unions, flanges or clamps.

- The machine can also be configured with additional inlets for direct dosage of component products.
- The rotor-stator system itself can operate without product.
- The shaft sealing system can be configured for operating pressures of up to 16 bars.
- The standard operating temperature extends to 120°C. Special versions are available to 300°C





Base frame offered separately

		Machine											Drive					Frame																	
Size/type	Chamber-system	Rotor periferal speed	Capacity	Weight	Dimensions						Standard inlet size		Power	Speed	Dimensions				Dimensions																
DMS	Qty	m/s	m <sup>3</sup> /h	kg	H	L <sub>1</sub>	L <sub>2</sub>	L <sub>3</sub>	L <sub>M</sub>	D	I	II	kW	1/min	h	L <sub>4</sub>	a	b	w	X	Y	Z	F												
2	1/26 - 10	5	37	150	107	200	155	650	706	Ø200	DN	DN	1,5	3000	90	250	100	140	56	225	460	110	100												
	2/9 - 15	2,5	45																					752	50	40	3	100	306	160	83	250	555	-	
	2/26 - 10	48	246																					752	50	40	5,5	140	635	160	160				
	3/26 - 10	5	92																					292	860	5,5	635								
3	1/25 - 20	12	153	205	122	216	200	847	889	Ø300	DN	DN	7,5	1500	132	368	216	89	440	585	150	130													
	2/25 - 10	10	150																				889	65	50	5,5	1500	254	254	108	500	710			
	2/25 - 20	20	245																				1066	-	5,5	1500	132	368	140	216	89	440	585	-	
	1/50 - 10	10	152																				889	80	18,5	3000	545	254	710	200					
	1/50 - 20	20	240																				1066	18,5	3000	545	254	710	200						
	2/50 - 10	12	224																				342	1106	11	1500	160	501	210	254	108	500	765		
4	1/70 - 10	80	258	260	115	320	160	1125	1240	Ø400	DN	DN	30	1500	200	660	305	318	133	640	1065	1165													
	1/70 - 15	115	365																				444	1364	22	1000	545	254	1010						
	2/70 - 10	80	396																				444	1364	22	1000	200	660	305	318	133	640	1165		
5	2/12 - 40	5	282	250	145	255	163	1039	1132	Ø400	DN	DN	22	3000	180	567	241	279	121	590	695	190													
	1/20 - 40	30	344																				1132	25	40	37	3000	200	660	305	318	133	640	785	250
	2/20 - 20	12	372																				1162	-	-	30	1500	200	660	305	318	133	640	785	250
	3/12 - 40	6	358																				1162	50	50	30	3000	200	660	305	318	133	640	785	250

\* Medium: Water

\*\* rights reserved for technical changes